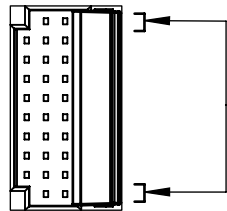
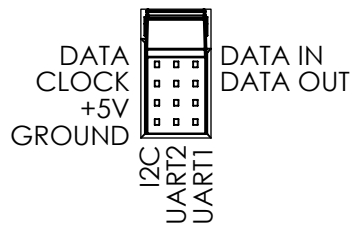


GROUND
MAIN BATTERY VOLTAGE
PWM

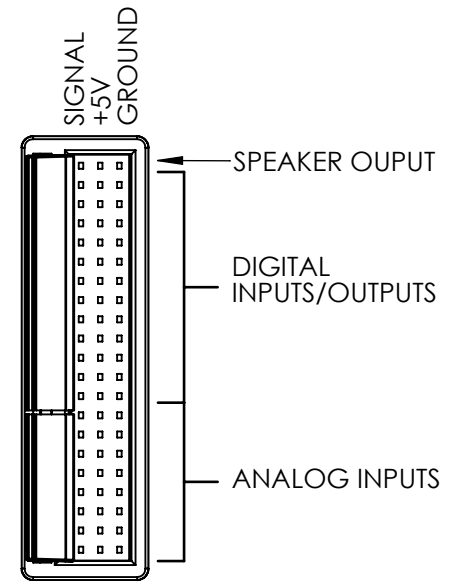
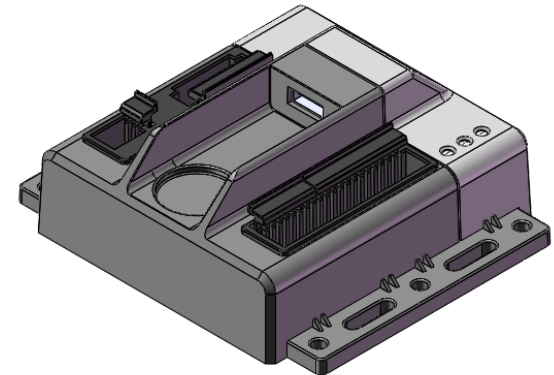
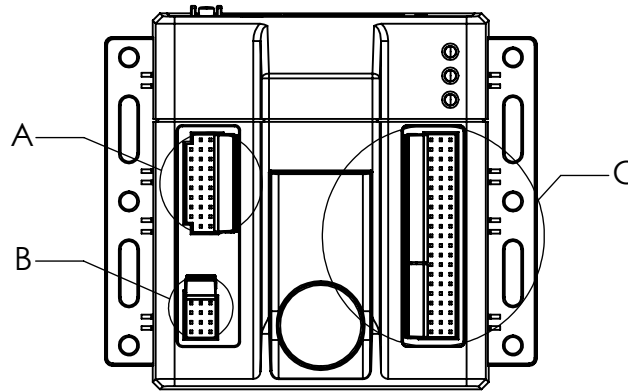


2-WIRE MOTOR

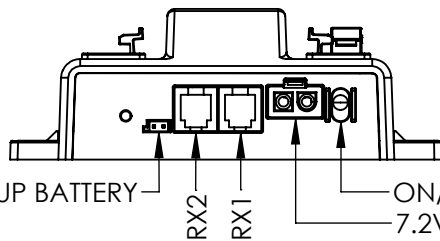
DETAIL A
SCALE 1 : 1



DETAIL B
SCALE 1 : 1



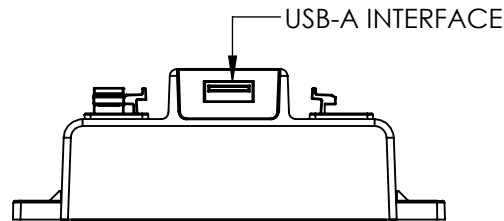
DETAIL C
SCALE 1 : 1



9V BACKUP BATTERY

RX2
RX1

ON/OFF SWITCH
7.2V MAIN BATTERY



USB-A INTERFACE



Description		VEX Cortex Pin-out	
Dwg No		276-2194 Rev1-PINOUT	
Project	EDR	Sheet 1 of 1	
Release	12/1/2010	ALL DIMENSIONS ARE IN INCHES.	